

SMART Board™ Interactive Whiteboard Floor Stands

Specifications – Models FS640 and FS670

Physical Specifications – FS640 for SMART Board™ 640 Interactive Whiteboards (SB640)

Size	
Anti-tip Feet Lowered	29 3/4" W × 48 1/2" H × 40 3/8" D (75.5 cm × 123.3 cm × 102.5 cm)
Anti-tip Feet Raised	29 3/4" W × 48 1/2" H × 29 1/2" D (75.5 cm × 123.3 cm × 75.0 cm)
SB640 Installed and Anti-tip Feet Lowered	42" W × 52 3/4" to 66 3/4" H × 40 3/8" D (106.7 cm × 134.0 cm to 169.6 cm × 102.5 cm)
Weight	
Floor Stand	32 lb. (14.5 kg)
Floor Stand with SB640	47 lb. (21.3 kg)
Shipping Size	
1 unit	52" W × 10" H × 11" D (132.1 cm × 25.3 cm × 27.6 cm)
16 units on pallet	52" W × 45" H × 45" D (132.1 cm × 114.3 cm × 114.3 cm)
Shipping Weight	
1 unit	39 lb. (17.7 kg)
16 units on pallet	644 lb. (292.7 kg.)
Height Adjustment	
	Adjustable in 2" (5.1 cm) increments. The top of an installed SMART Board 640 interactive whiteboard ranges from 52 3/4" to 66 3/4" (134.0 cm to 169.6 cm).
Stability	
	Four 4" (10.0 cm) lockable casters and anti-tip feet keep the stand in place during use
Warranty	
	One-year limited equipment warranty

All dimensions +/- 1/8" (0.3 cm). All weights +/- 2 lb. (0.9 kg).

Physical Specifications – FS670 for SMART Board 660 and 680 Interactive Whiteboards (SB660 and SB680)

Size	
Anti-tip Feet Lowered	46 1/4" W × 53 3/4" H × 40 3/8" D (117.5 cm × 136.6 cm × 102.5 cm)
Anti-tip Feet Raised	46 1/4" W × 53 3/4" H × 29 1/2" D (117.5 cm × 136.6 cm × 75.0 cm)
SB660 Installed and Anti-tip Feet Lowered	54 3/4" W × 64" to 78" H × 40 3/8" D (139.1 cm × 162.5 cm to 198.1 cm × 102.5 cm)
SB680 Installed and Anti-tip Feet Lowered	65 1/4" W × 67 7/8" to 81 7/8" H × 40 3/8" D (165.7 cm × 172.4 cm to 208.0 cm × 102.5 cm)
Weight	
Floor Stand	36 lb. (16.4 kg)
Floor Stand and SB660	57 lb. (26.0 kg)
Floor Stand and SB680	64 lb. (29.1 kg)
Shipping Size	
1 unit	51" W × 10" H × 11" D (129.5 cm × 25.4 cm × 27.9 cm)
16 units on pallet	52" W × 45" H × 45" D (132.1 cm × 114.3 cm × 114.3 cm)
Shipping Weight	
1 unit	43 lb. (19.5 kg)
16 units on pallet	706 lb. (320.9 kg)

Specifications – Models FS640 and FS670

Height Adjustment	Adjustable in 2" (5.1 cm) increments. The top of an installed SMART Board 660 interactive whiteboard ranges from 64" to 78" (162.5 cm to 198.1 cm). The SB680 ranges from 67 7/8" to 81 7/8" (172.4 cm to 208.0 cm).
Stability	Four 4" (10.0 cm) lockable casters and anti-tip feet keep the stand in place during use
Warranty	One-year limited equipment warranty

All dimensions +/- 1/8" (0.3 cm). All weights +/- 1/2 lb. (0.2 kg).

SMART Order Numbers

FS640	Floor stand for SMART Board 640 interactive whiteboards
FS670	Floor stand for SMART Board 660 and 680 interactive whiteboards

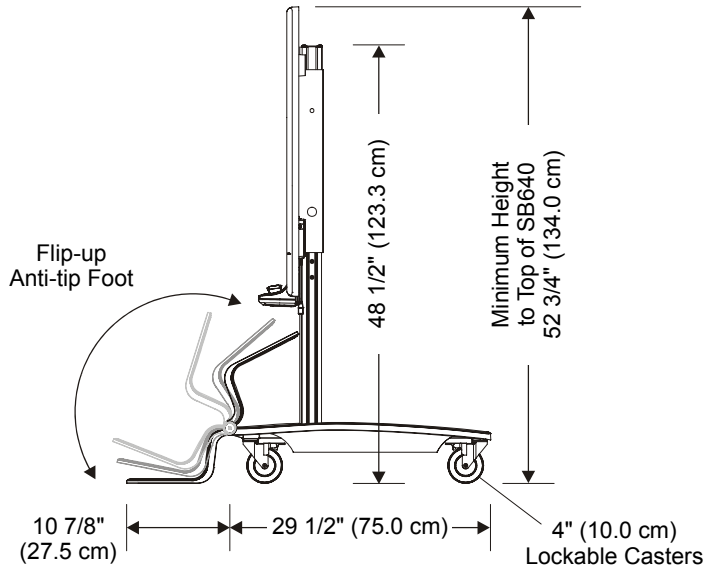
SMART Technologies Inc.
1207 – 11 Avenue SW, Suite 300
Calgary, AB T3C 0M5
CANADA



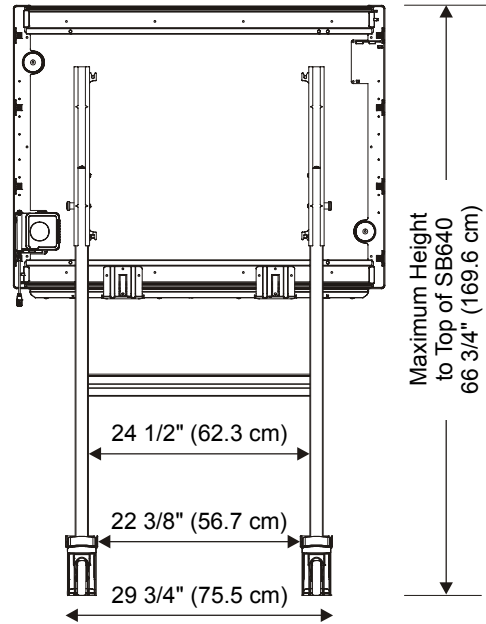
www.smarttech.com/support www.smarttech.com/contactsupport
Support +1.403.228-5940 or Toll Free 1.866.518.6791 (Canada/U.S.)

SMART Board™ Interactive Whiteboard Floor Stands

Specifications – Model FS640



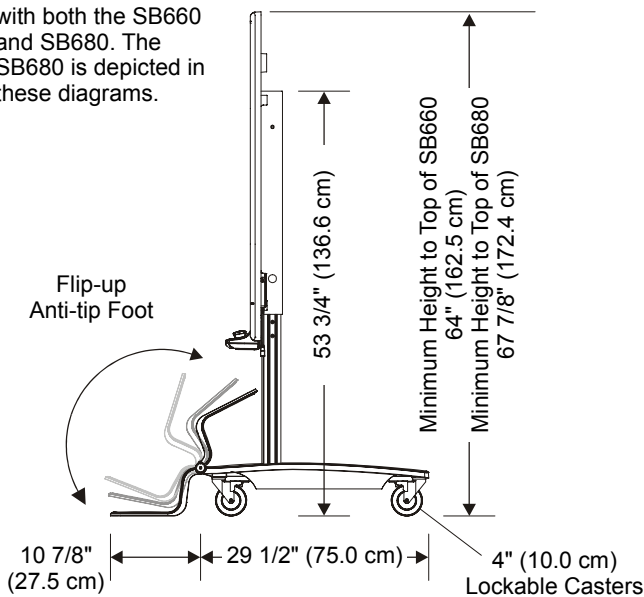
**Floor Stand with SB640
Side View
(lowest position)**



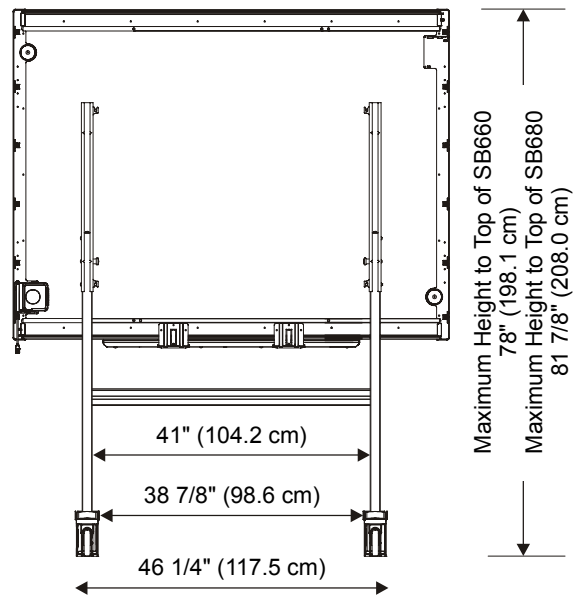
**Floor Stand with SB640
Back View
(highest position)**

Specifications – Model FS670

NOTE: The FS670 Floor Stand works with both the SB660 and SB680. The SB680 is depicted in these diagrams.



**Floor Stand with SB680
Side View
(lowest position)**



**Floor Stand with SB680
Back View
(highest position)**

All dimensions +/- 1/8" (0.3 cm)

